



Price request form



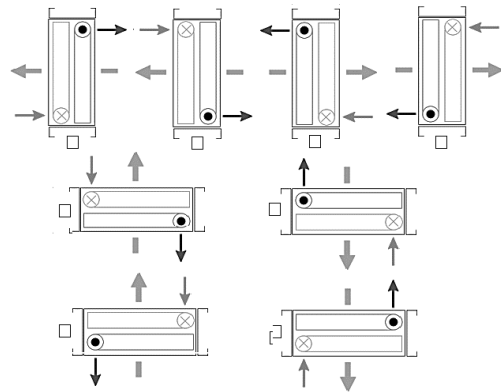
Customer	Reference	Date

	Materials	Thickness
Tubes		
Fins		
Frame		
Headers		

Connexion	Amount of circuits: Amount of rows:	Headers diameter	Fins distance
		DN	mm
<input type="checkbox"/> Male thread <input type="checkbox"/> Smooth end <input type="checkbox"/> Flanges	Headers <input type="checkbox"/> Straight <input type="checkbox"/> Turned at 90° against airflow <input type="checkbox"/> Turned at 90° in air flow direction		<input type="checkbox"/> Facing the bottom <input type="checkbox"/> Facing the top

Please send us as many pictures as possible of the existing exchanger.

Air direction/connexions positions



Remarks

